



DW60

Wheel Dumpers



Heavy duty design offers maximum payload and safe operation

The DW60 combines the power of a hydrostatic transmission Tier 4 Final Perkins engine with an industry leading, heavy duty design. With massive, impact-resistant box sections, this power swivel dumper offers high performance and a bucket engineered for durability. The DW60 is well balanced and easily moves its rated payload across the varying terrains of a job site. Full-time four-wheel drive ensures optimum maneuverability in difficult conditions.

- Operator station is easily accessible from both sides for added convenience. Dash board displays a full range of dials/indicators lights such as fuel gauge, low fuel warning light and parking brake light.
- Hydrostatic drive is easy and intuitive for the operator. The four-wheel drive provides perfect traction in difficult terrain, and articulated steering allows for a tight turning radius
- Swivel bucket allows material to be unloaded on either side of the unit for added versatility
- A top speed of 16mph/25kmh provides for fast cycle times and efficiency
- Awning and cab options available

Technical specifications



DW60

Operating data

Payload	13,228 lb
Net weight	10,728 lb
Shipping weight Swivel skip ROPS	10,886 lb
Shipping weight Swivel skip cabin	11,122 lb
Skip capacity Swivel skip, levelled	611 US gal
Skip capacity Swivel skip, heaped	832 US gal
Skip capacity Swivel skip, water level	432 US gal

Engine / Motor

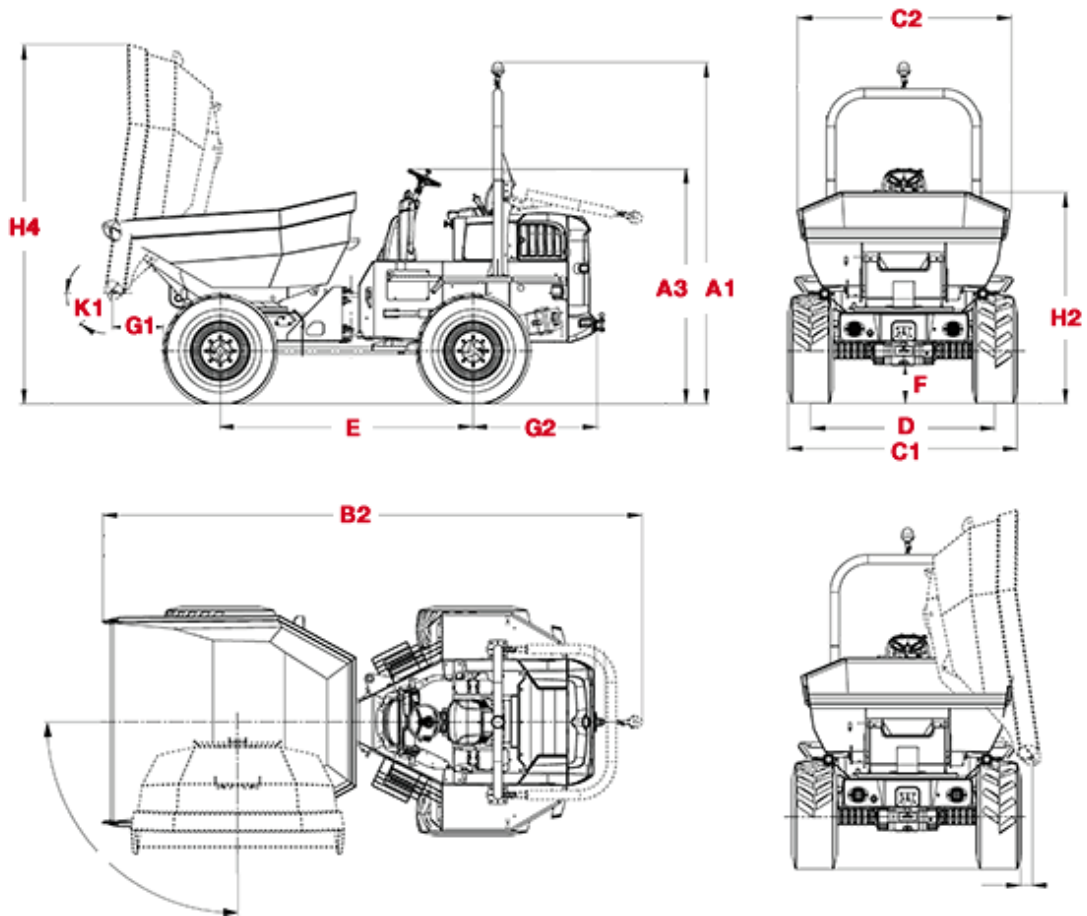
Engine / Motor manufacturer	Perkins
Engine / Motor type	854F
Engine / Motor	watercooled 4cylinder turbodiesel
Engine performance acc. to ISO 3046/1	74 hp
Displacement	207 in ³
Engine RPM	2,200 rpm
Emissions	Stage 3b / Tier 4 final
Traction drive	4WD, hydrostatic
Travel speed	15.5 mph
Articulation angle	29 °
Pendulum angle	11 °
Turning radius	234 in
Gradeability	50 %
Tires	405/70-20
L x W x H	194.3 x 88.6 x 122.4 in
Steering pump	Axial piston pump
Flow rate	39.5 US gpm
Operating pressure	6,526.8 psi
Duty pump	Gear pump
Flow rate	17.7 US gpm
Operating pressure	3,408 psi
Tank capacity	87.6 US qt
Hydraulic oil tank	63.4 US qt



**WACKER
NEUSON**
all it takes!



Dimensions



C1	Overall width in	87.75
C2	Skip width swivel skip in	90.87
D	Width in	70.6
H2	Skip height in	78.78
H4	Skip height tilted in	97.11
K1	Tip-out angle °	43
A1	Height total (ROPS) in	130.65
A3	Height tilted ROPS in	89.7
B2	Length in	178.43
E	Wheelbase in	96.92
G2	Rear overhang in	46.41
G1	Distance in	32.8
F	Ground clearance in	14.39



**WACKER
NEUSON**
all it takes!

Please note

that product availability can vary from country to country. It is possible that information / products may not be available in your country. More detailed information on engine power can be found in the operator's manual; the stated power may vary due to specific operating conditions.

Subject to alterations and errors excepted. Applicable also to illustrations.

Copyright © 2016 Wacker Neuson SE.