



DW90

Wheel Dumpers



Unbeatable off-road: the DW90 wheel dumper

The DW90 is a versatile bulk material mover offering articulated hydrostatic 4-wheel drive designed to carry full payloads across rough terrain, muddy conditions and steep hills. Dumpers have a smaller footprint than traditional dump trucks and can easily maneuver around confined and busy job sites, moving dirt faster and significantly improving cycle times. The DW90 can carry up to 5.6 cubic yards of dirt and is an excellent material mover partner for larger excavators.

- Operator station is easily accessible from both sides for added convenience. Dashboard displays a full range of dials/indicator lights such as fuel gauge, low fuel, warning light and parking brake light.
- Hydrostatic drive is easy and intuitive for the operator. The four wheel drive provides perfect traction on difficult terrain and articulated steering allows for a tight turning radius.
- Heavy-duty, impact resistant swivel bucket allows material to be unloaded from the front or either side, making dumping more precise and efficient. The bucket is easily operated with a simple joystick control within reach of the driver.
- Top speed of 15.5 mph/25 kmh provides for fast times and efficiency.
- Easy access for convenient maintenance. Maintenance intervals of 500 hours of operation reduces downtime.

Technical specifications



Operating data

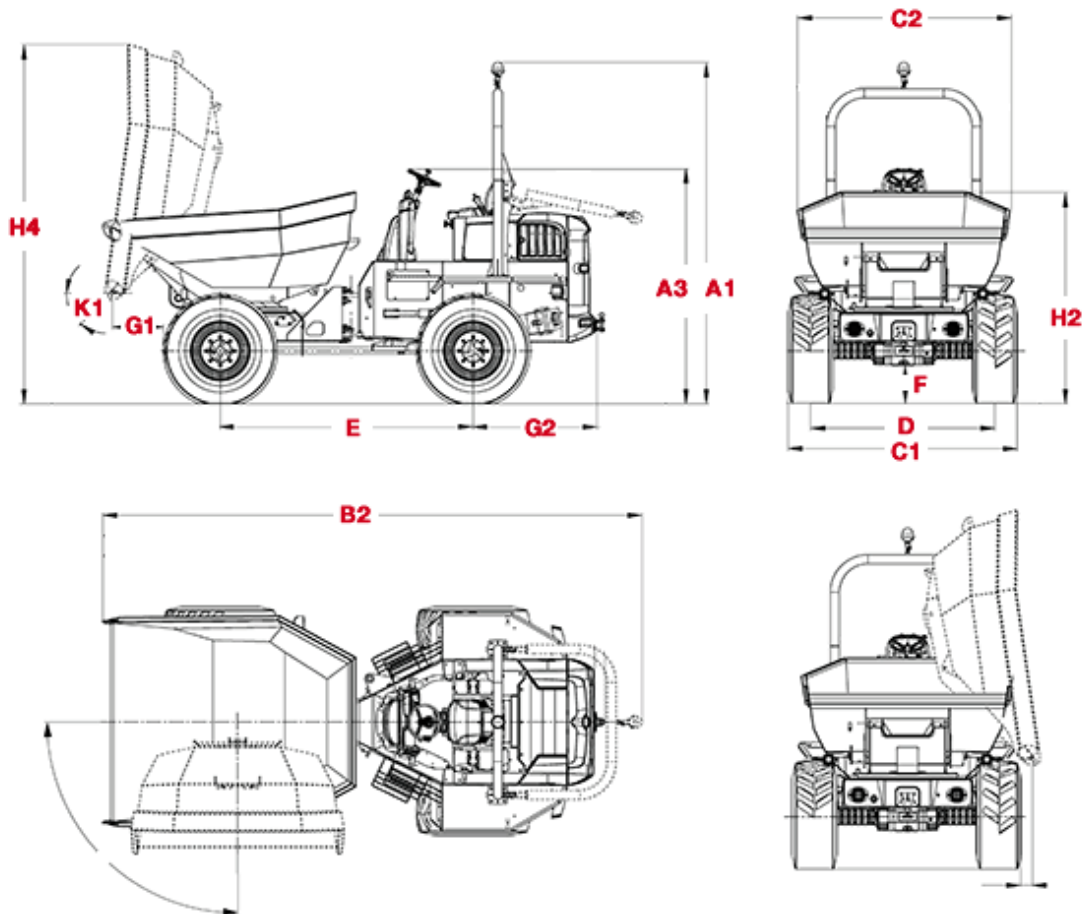
Payload	19,842 lb
Net weight	12,370 lb
Shipping weight ROPS	12,502 lb
Shipping weight Cabin	12,729 lb
Skip capacity struck	858 US gal
Skip capacity heaped	1,144 US gal
Skip capacity water volume	536 US gal

Engine / Motor

Engine / Motor manufacturer	Perkins
Engine / Motor type	854E
Engine / Motor	water-cooled 4-cylinder turbo-diesel incl. intercooler
Engine performance according to ISO 3046/1	73.7 hp
Displacement	207.4 in ³
Engine RPM	2,500 rpm
Emissions	Level 3b/Tier 4 interim
Traction drive	4WD, hydrostatic incl. ECO mode
Travel speed	15.5 mph
Articulation angle	29 °
Pendulum angle	11 °
Turning radius	255.5 in
Gradeability	50 %
Tires	500/60-22.5
L x W x H	204 x 97 x 100 in
Steering pump	Axial piston pump
Flow rate	44.5 US gpm
Operating pressure	6,526.8 psi
Duty pump	Gear pump
Flow rate	17.7 US gpm
Operating pressure	3,408.4 psi
Tank capacity	87.6 US qt
Hydraulic oil tank	63.4 US qt



Dimensions



DW90 swivel tip skip

C1	Overall width in	96.14
C2	Skip width in	88.73
H2	Skip height in	89.89
H4	Skip height tilted in	150.74
A1	Height ROPS in	130.84
A3	Height ROPS tilted in	99.25
--	Height Cabine in	126.55
B2	Length in	202.22
E	Wheelbase in	105.3
G2	Rear overhang in	46.41
F	Ground clearance in	15.83



**WACKER
NEUSON**
all it takes!

Please note

that product availability can vary from country to country. It is possible that information / products may not be available in your country. More detailed information on engine power can be found in the operator's manual; the stated power may vary due to specific operating conditions.

Subject to alterations and errors excepted. Applicable also to illustrations.

Copyright © 2016 Wacker Neuson SE.