



EZ28

Tracked Zero Tail Excavators



Zero tail swing for excellent maneuverability: EZ28

The EZ28 compact excavator combines the performance of a conventional track excavator with the excellent maneuverability of a zero tail swing machine. When the housing is revolved, the tail does not project over the width of the tracks. This excavator is available in a canopy or full cab version, each with a choice of standard or long dipperstick. Powered by an Yanmar 3-cylinder diesel, Tier 4 Final engine, the EZ28 track excavator offers rubber tracks, dozer blade, boom-mounted working light and a control pattern change system.

- Zero tail swing for working in tight and confined spaces.
- Easy access and operator comfort are provided in one of the largest operator stations in this class.
- Adjustable armrests and 5-way adjustable seat provide the operator with an ergonomic and comfortable working environment.
- Optional Vertical Digging System (VDS). VDS enables progressive tilting of the superstructure by up to 15° to compensate for slopes, saving up to 25% material and time costs.
- Unit equipped with a pattern control selector valve for versatility and ease of use.

Technical specifications



Operating data

Shipping weight min.	5,677 lb
Operating weight min.	6,030 lb
Biting force max.	3,734 lbf
Breakaway force max. max.	6,227 lbf
Digging depth	100 in
Dumping height max.	112 in
Digging radius	182 in
L x W x H	168 x 62 x 95 in

Engine / Motor

Engine / Motor manufacturer	Yanmar
Engine / Motor type	3TNV76
Engine / Motor	Water-cooled 3-cylinder diesel engine
Displacement	68 in ³
RPM / speed	2,500 rpm
Engine performance output to ISO	20.7 hp
Battery	44 Ah
Tank capacity	37 US qt

Hydraulic system

Duty pump	Double variable- & two-gear pump
Flow rate	24 US gpm
Operating pressure for working and traction hydraulics	3,263 psi
Operating pressure Slewing gear	2,988 psi
Hydraulic oil tank	28 US qt

Wheel set

Travel speed max.	2.4 mph
Chain width	11.8 in
Ground clearance	11 in



Dozer Blade

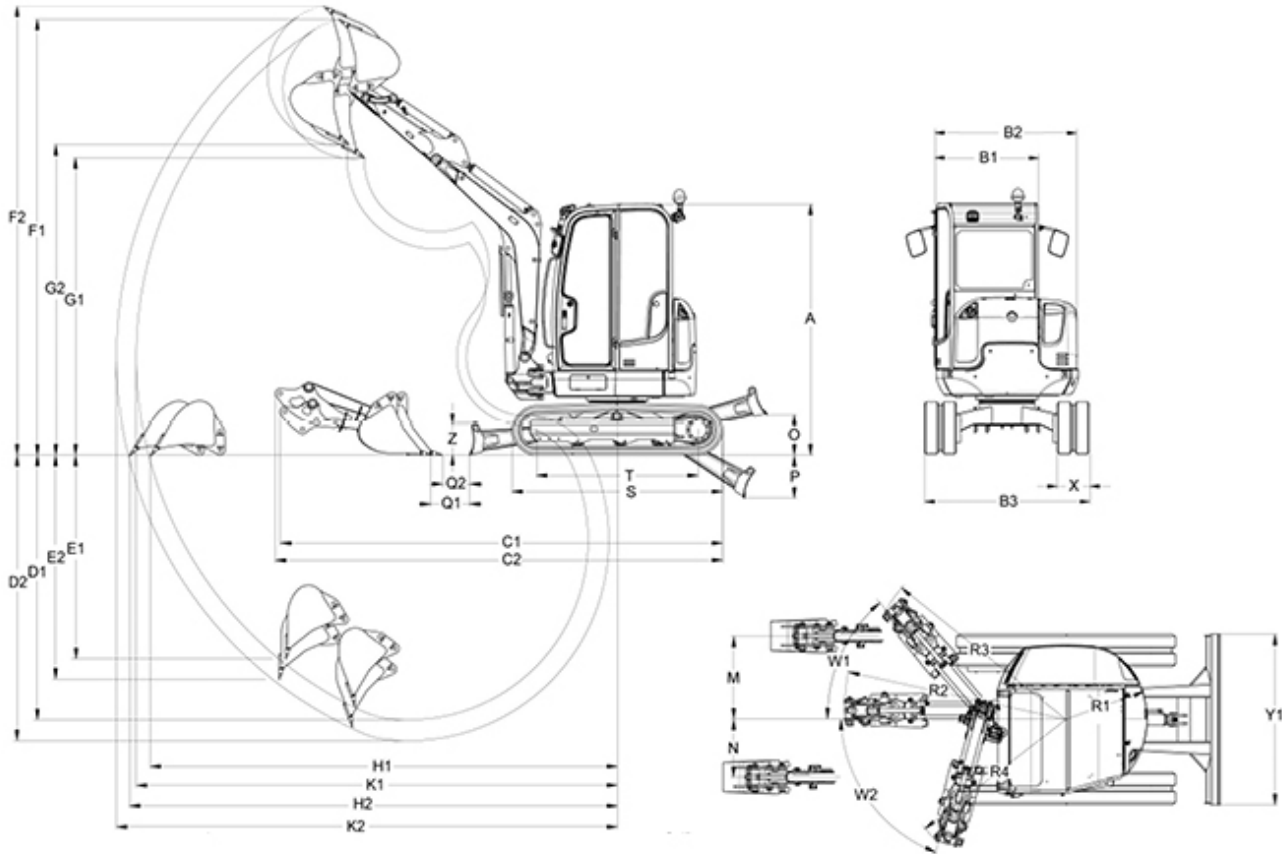
Width	62 in
Height	11.4 in
Stroke max., above ground	15 in
Stroke max., below ground	16.5 in

Sound level

Sound level (LwA) acc. to 2000/14/EC	93 dB(A)
--------------------------------------	----------



Dimensions



VDS

A	Height in	93.9	98.51
B1	Width of the cabin in	38.5	38.22
B2	Width of the revolving superstructure in	52.7	52.26
B3	Width of the undercarriage in	61.8	61.23
C1	Transport length (short dipper arm) in	166.5	163.8
C2	Transport length (long dipper arm) in	167.3	165.4
D1	Digging depth Max. (short dipper arm) in	99.9	94.3
D2	Digging depth Max. (long dipper arm) in	107.8	102.1
E1	Insertion depth Max. vertical (short dipper arm) in	77.1	71.96
E2	Insertion depth Max. vertical (long dipper arm) in	84.6	79.37
F1	Insertion height Max. (short dipper arm) in	164.5	167.7
F2	Insertion height Max. (long dipper arm) in	169.6	172.77



G1	Dumping height Max. (short dipper arm) in	112.2	115.44
G2	Dumping height Max. (long dipper arm) in	117.3	120.39
K1	Digging radius Max. (short dipper arm) in	180.6	179.94
K2	Digging radius Max. (long dipper arm) in	188	187.43
H1	Range Max. ground coverage (short dipper arm) in	176.7	173.27
H2	Range Max. ground coverage (long dipper arm) in	184.6	181.11
M	Arm displacement Max. boom offset to center of bucket, right side in	30.1	29.8
N	Arm displacement Max. boom offset to center of bucket, left side in	21	20.8
O	Lift height Max. of dozer blade above subgrade in	15.3	15.1
P	Scraping depth Max. of the dozer blade below subgrade in	16	16
W1	Turning angle Max. of the arm system to the right °	50	50
W2	Turning angle Max. of the arm system to the left °	75	75
Q1	Distance of bucket dozer blade (short dipper arm) in	14.1	12.71
Q2	Distance of bucket dozer blade (long dipper arm) in	10.4	8.502
R2	Boom slewing radius center in	81.1	80.1
R3	Boom slewing radius right in	76.4	75.78
R4	Boom slewing radius left in	64.7	63.96
S	Length Total traveling gear in	79.5	78.82
T	Length Traveling gear length of the sprocket guide wheel in	61	60.37
Y1	Width Dozer blade in	61.8	61.23
Z	Height Dozer blade in	11.7	11.7

Please note

that product availability can vary from country to country. It is possible that information / products may not be available in your country. More detailed information on engine power can be found in the operator's manual; the stated power may vary due to specific operating conditions.

Subject to alterations and errors excepted. Applicable also to illustrations.

Copyright © 2016 Wacker Neuson SE.