



## EZ53

Tracked Zero Tail Excavators



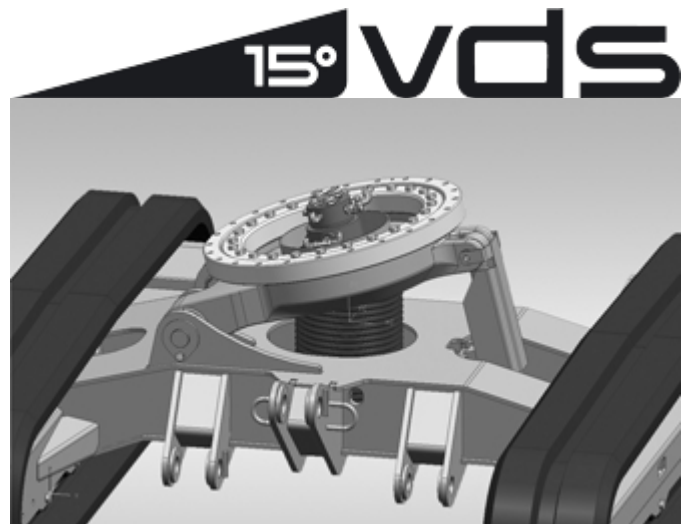
### EZ53 Zero tail swing offers excellent maneuverability

The EZ53 compact excavator combines the performance of a conventional track excavator with the excellent maneuverability of a zero tail swing machine. When revolved, the tail of the EZ53 does not project over the width of the tracks. Powered by an economical Tier 4 Final Yanmar engine, this unit offers rubber tracks, dozer blade, boom mounted working light and control pattern change system. The excavator is offered in a canopy or full cab version each with a short or longer dipperstick. Cab models feature standard air conditioning.

- Zero tail swing and compact dimensions are ideal for working in confined areas
- Large operator station is ergonomically designed for easy access and operator comfort improving productivity
- Unit equipped with pattern control selector for versatility and ease of use
- Tilttable operators platform allows for easy accessibility to all maintenance components
- Optional Vertical Digging System (VDS): It enables progressive tilting of the superstructure by up to 15° to compensate for slopes up to 27%

#### VDS - Vertical Digging System

VDS enables progressive tilting of the superstructure by up to 15° with the push of a button, allowing the operator to compensate for slopes up to 27%. This makes precise vertical digging possible even on the most uneven of terrain. Cost-effectiveness and user comfort thus get a considerable boost.



### Technical specifications



#### Operating data

Shipping weight min.	10,952.5 lb
Operating weight min.	11,554.3 lb
Biting force max.	6,294.7 lbf
Breakaway force max.	8,565.2 lbf
Digging depth max.	146.3 in
Dumping height max.	149.6 in
Digging radius max.	242.78 in
Superstructure slewing speed	9.2 rev/min
L x W x H	217 x 78 x 101 in

#### Engine / Motor

Engine / Motor manufacturer	Yanmar
Engine / Motor type	4TNV88
Engine / Motor	Water-cooled 4-cylinder diesel engine EPA III
Displacement	135.2 in <sup>3</sup>
RPM / speed	1,900 rpm
Engine performance acc. to ISO	48.1 hp
Battery	88 Ah
Tank capacity	88 US qt

#### Hydraulic system

Duty pump	Double variable- & two-gear pump
Flow rate	27.7 US gpm
Operating pressure for working and traction hydraulics	3,335.9 psi
Hydraulic oil tank	85 US qt

#### Wheel set

Travel speed max.	2.8 mph
Chain width	15.7 in
Ground clearance	12.6 in



#### Dozer Blade

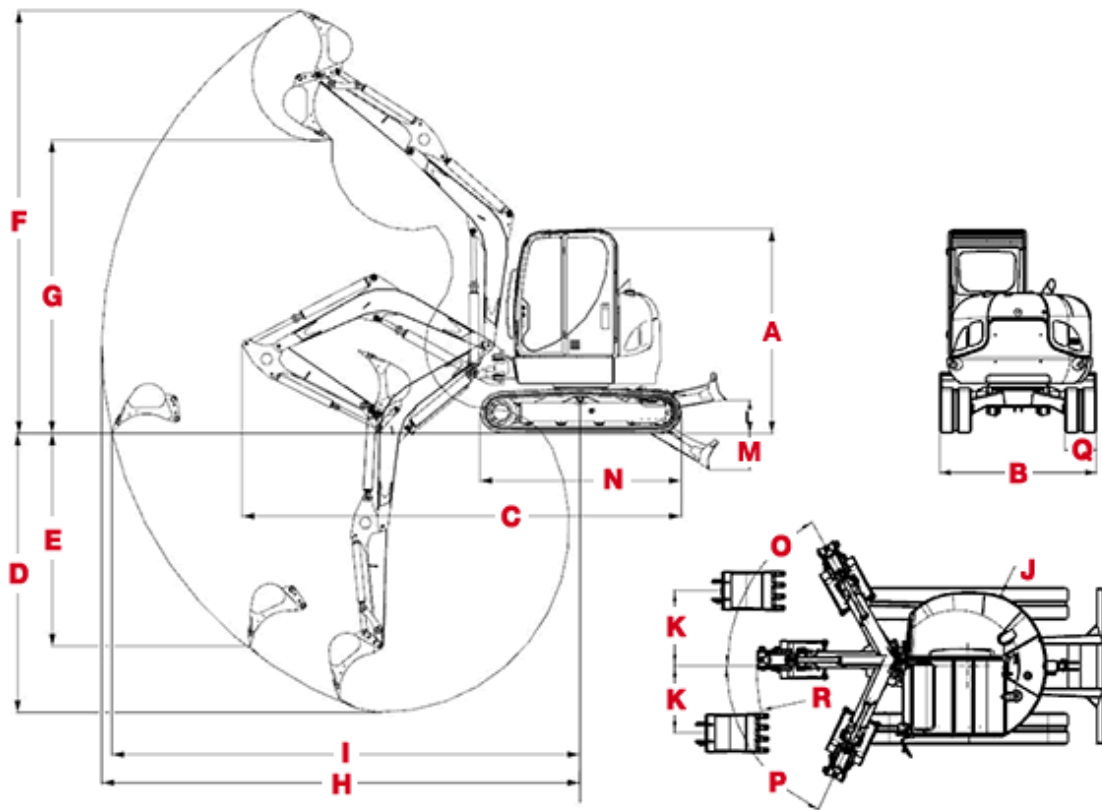
Width	77.6 in
Height	14.8 in
Stroke Above ground	16.3 in
Stroke Below ground	17.9 in

#### Sound level

Sound level (LwA) acc. to 2000/14/EC	98 dB(A)
Cabin - specified sound pressure level LpA acc. to ISO 6394	77 dB(A)



## Dimensions



	Short Dipperstick	Long Dipperstick
A Height in	100	100
A Height in	100	100
B Width in	78	78
D Digging depth Max. in	136.5	146
D Digging depth VDS in	132.4	0
E Insertion depth Max. vertical in	104	113
E Insertion depth VDS in	99.1	0
F Insertion height Max. in	206.7	0
F Insertion height VDS in	210.8	0
G Dumping height Max. in	144	150
G Dumping height VDS in	147.6	0
H Digging radius Max. in	234	242.8



<b>H</b>	Digging radius VDS in	233.8	0
<b>I</b>	Range on the ground in	229	238
<b>I</b>	Range VDS in	227.1	0
<b>J</b>	Rear swivel radius Min. in	39	38.8
<b>K</b>	Arm displacement Max. to middle of bucket right side in	37.4	37
<b>K</b>	Arm displacement Max. to middle of bucket left side in	33.3	0
<b>L</b>	Lift height Max. levelling blade above formation in	16	16
<b>M</b>	Scraping depth Max. of levelling blade below formation in	18	18
<b>N</b>	Length of running gear in	98.4	98
<b>O</b>	Turning angle Max. arm system to the right °	61	61
<b>P</b>	Turning angle Max. arm system to the left °	65	65
<b>Q</b>	Width in	16	16

**Please note**

that product availability can vary from country to country. It is possible that information / products may not be available in your country. More detailed information on engine power can be found in the operator's manual; the stated power may vary due to specific operating conditions.

Subject to alterations and errors excepted. Applicable also to illustrations.

Copyright © 2016 Wacker Neuson SE.