

Vibratory Plate CF 1

Best performance in confined areas. The compact, forward travel vibratory plate CF 1 from Weber MT is ideally suited for compaction work in restricted spaces.

The CF 1 is used in walkway construction and landscape applications for the compaction of sand/gravel, block and asphalt pavements, no-slump concrete and insulating materials. The lifting eye and carrying handles ensure easy handling and the folding guide bar allows for easy transport even in the trunk of a car.

The low-vibration guide bar reduces hand/arm vibrations and thus ensures maximum operating comfort, even during long lasting applications.



Available optional extras

Integrated undercarriage, polyurethane pad, 12 l water tank (for asphalt compaction)

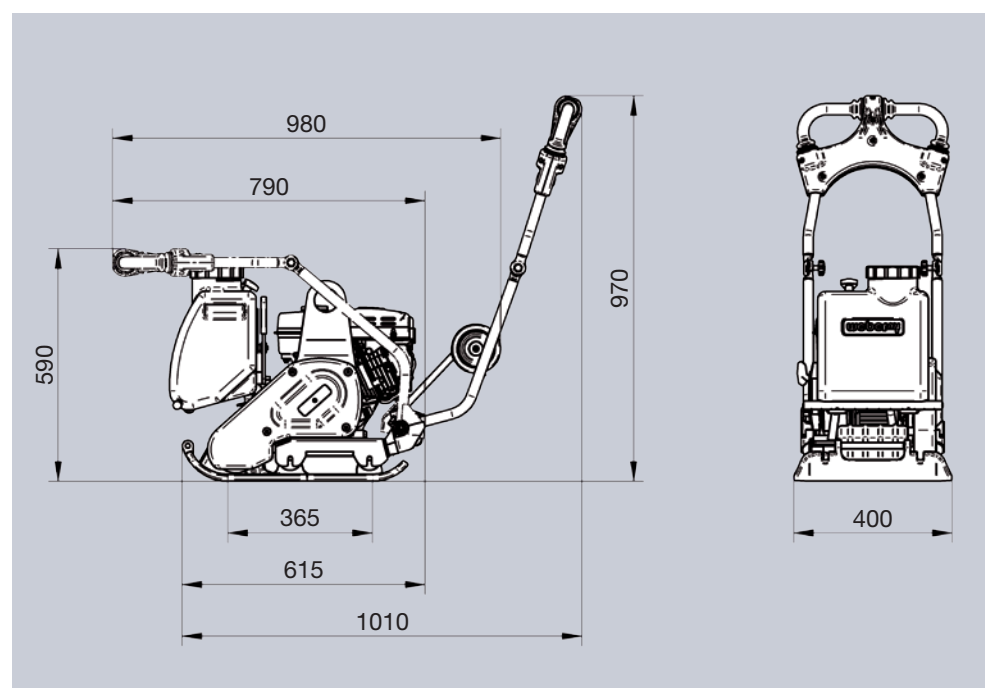
Fields of application

Small areas of sand/gravel, asphalt, no-slump concrete, insulating materials, block pavements, walkway paving stones

Technical data

Type		CF 1	CF 1 Hd
Operating weight to CECE	kg (lbs)	72 (158)	70 (154)
Centrifugal force	kN (lbs)	11 (2475)	11 (2475)
Frequency	Hz (r.p.m.)	95 (5700)	95 (5700)
Operating width	mm (in.)	400 (15.8)	400 (15.8)
Engine manufacturer		Subaru EX 17	Honda GX 120
Engine type		4-stroke, gasoline	4-stroke, gasoline
Engine power output, max.	kW (HP)	4.2 (5.7)	2.6 (3.6)
Power output at operating speed	kW (HP) at r.p.m.	2.8 (3.8) at 3000	1.8 (2.5) at 3000
Working speed	m/min (ft/min.)	26 (85)	26 (85)

We reserve the right to alter specifications.



Dimensions in mm.



CF 1