

weberm

The Brand of Progress

CF



Forward Travel
Vibratory plates

CF 2 / CF 3

Experience quality – with the CF 2 and CF 3 vibratory plate compactors

The vibratory plate compactors of the CF 2 and CF 3 series distinguish themselves by premium operating comfort, compact dimensions and optimum running characteristics. Their fields of application: compaction work in landscaping and repair work.

- Compact dimensions, a folding guide bar and useful lift handles at the front and sides facilitate transport of the machines in a car.
- The special low-vibration guide bar (registered design) reduces the hand/arm vibrations and ensures comfortable work. In addition, the guide bar features a soft, user-friendly plastic coating.
- Practical accessories (optional) additionally facilitate work: the integrated undercarriage is wide and safe. A 16 liter water tank is available for asphalt compaction. Attaching and removing the tank is easily done in next to no time. The tank can be set down for hands-free filling and is easy to carry thanks to the recessed grips. The flow of water can be adjusted by means of a rotary knob. A polyurethane pad allows a gentle compaction of interlocking paving stones.



CF 3 R



The CF 2 and CF 3 at a glance

- ▶ Compact machine dimensions.
- ▶ Folding, low-vibration guide bar.
- ▶ Lift handles at the front and both sides.
- ▶ Guide bar with soft, user-friendly plastic coating.
- ▶ Remote control throttle, throttle lever on the guide bar (CF 2 optional extra).
- ▶ 2 year warranty.

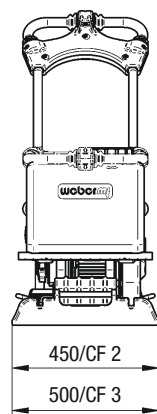
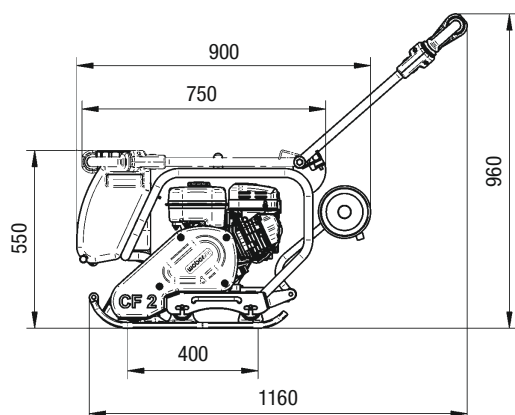
Accessories

- ▶ Optional extras: integrated undercarriage, 16 liter water tank (for asphalt compaction), polyurethane pad, remote control throttle for CF 2.

Technical data vibratory plate CF 2

Type		CF 2 R	CF 2 Hd
Operating weight to CECE	kg (lbs)	83 (183)	83 (183)
Centrifugal force	kN (lbs)	15 (3,375)	15 (3,375)
Frequency	Hz (r.p.m.)	95 (5,700)	95 (5,700)
Operating width	mm (in.)	450 (17.7)	450 (17.7)
Engine manufacturer		Robin EX 17	Honda GX 160
Engine type		4-stroke, gasoline	4-stroke, gasoline
Engine power output, max.	kW (HP)	4.2 (5.7)	3.6 (4.9)
Power output at operating speed	kW (HP) at r.p.m.	2.8 (3.8) at 3,000	2.7 (3.7) at 3,000
Working speed	m/min (ft/min.)	26 (85)	26 (85)

We reserve the right to alter specifications.

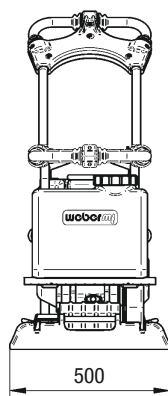
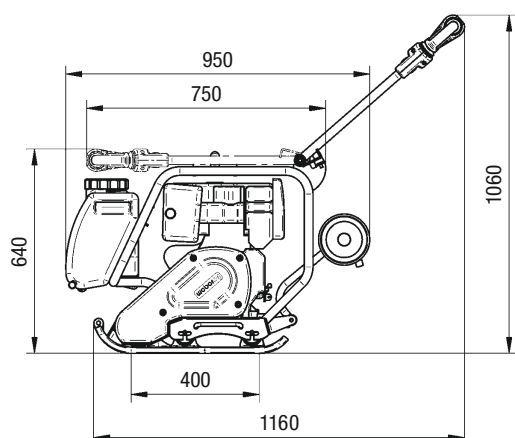


Dimensions in mm.

Technical data vibratory plate CF 3

Type		CF 3 R	CF 3 Hd	CF 3
Operating weight to CECE	kg (lbs)	99 (218)	99 (218)	113 (249)
Centrifugal force	kN (lbs)	20 (4,500)	20 (4,500)	20 (4,500)
Frequency	Hz (r.p.m.)	95 (5,700)	95 (5,700)	95 (5,700)
Operating width	mm (in.)	500 (20)	500 (20)	500 (20)
Engine manufacturer		Robin EX 17	Honda GX 160	Lombardini 15 LD 225
Engine type		4-stroke, gasoline	4-stroke, gasoline	Diesel
Engine power output, max.	kW (HP)	4.2 (5.7)	3,6 (4.9)	3.5 (4.8)
Power output at operating speed	kW (HP) at r.p.m.	2.8 (3.8) at 3,000	2.7 (3.7) at 3,000	3.1 (4.2) at 3,000
Working speed	m/min (ft/min.)	26 (85)	26 (85)	26 (85)

We reserve the right to alter specifications.



Dimensions in mm.

Weber Maschinentechnik GmbH

Im Boden 5-8, 10 · 57334 Bad Laasphe · Germany · P.O. Box 21 53 · 57329 Bad Laasphe · Germany

Phone: +49 (0) 27 54/3 98-0 · Fax: +49 (0) 27 54/3 98-101 · E-Mail: info@webermt.de · Internet: www.webermt.de