

weberm

The Brand of Progress

CR



Reversible Soil Compactors

CR 7/CR 8
and

CR 7/CR 8 with COMPATROL®



New dimensions of progress and quality

The reversible soil compactors CR 7 and CR 8 are the result of the consistent research and development work Weber MT has accomplished in conjunction with well-known industrial designers.

The design concept and product quality ensure a long service life and enhanced operational safety. All soil compactors are successfully subjected to extensive test runs under realistic, everyday job site conditions.

The CR 7 and CR 8 set new standards – follow Weber MT's philosophy of developing and manufacturing cost-effective machines. The centrifugal forces of 74 kN for the CR 8 and 60 kN for the CR 7 furnish proof of each machines' excellent performance capabilities. An electric starter, optimum operating qualities, supreme compaction

output and low hand-arm-vibrations at the guide bar are additional features provided for enhanced operator's comfort and machine's productivity. Extension plates allow the working width to be increased.

The models CR 7 CCD, CR 8 CCD and CR 8 Hd CCD are equipped with the new COMPATROL® compaction control system. One of the advantages of this Weber MT innovation: the system performs a uniform check of the suitability for compaction on the soil to be compacted. Thus, weak points can be detected and eliminated immediately.

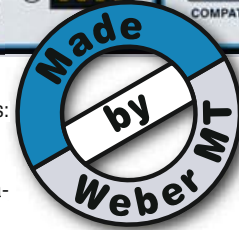
The models CR 7 MSM and CR 8 MSM offer an additional machine and service management.



Safety and comfort.
 Infinitely variable hydraulic control of forward and reverse travel with deadman's function.
 The low-vibration guide bar considerably reduces hand/arm vibrations.



Everything under control.
 COMPATROL®-MSM provides: compaction control system, machine and service management, hourmeter, indicator of service intervals, engine and machine failures.



Reliable and maintenance-friendly
 The self-adjusting centrifugal clutch eliminates the need to check the V-belt tension regularly.

Operational safety in detail

- ▶ Enclosed engine protective frame.
- ▶ Yet supreme ease of access to all maintenance points.
- ▶ Safe and quick loading thanks to the large folding lifting eye.
- ▶ Guide bar adjustable in height.
- ▶ Low-vibration handle with rubber coating.

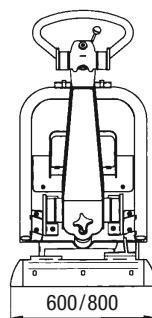
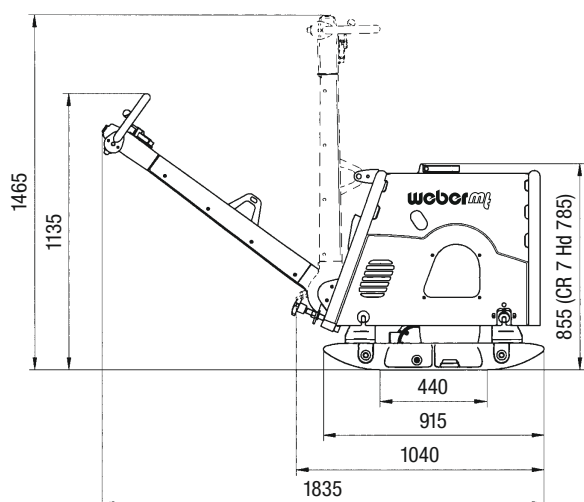
Available optional extras

- ▶ Polyurethane pad, Extension plates (CR 7 working width 800 mm, CR 8 working width 850 mm).

Technical data

Type		CR 7/CR 7 CCD/CR 7 MSM	CR 7 Hd
Operating weight to CECE	kg (lbs)	478/480/480 (1054/1058/1058)	437 (963)
Centrifugal force	kN (lbs)	60 (13500)	60 (13500)
Frequency	Hz (r.p.m.)	65 (3900)	65 (3900)
Operating width	mm/in.	600 (800*)/24 (31.5*)	600 (800*)/24 (31.5*)
Engine manufacturer		Lombardini 15 LD 440	Honda GX 390
Engine type		Diesel	4-stroke, gasoline
Engine power output, max.	kW (HP)	7.7 (10.5)	8.2 (11.2)
Power output at operating speed	kW (HP)	6.1 (8.3) at 2,800 rpm	7.0 (9.6) at 3,000 rpm
Working speed	m/min. (ft/min.)	0-24 (0-79)	0-24 (0-79)

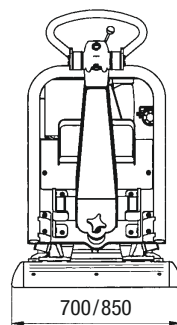
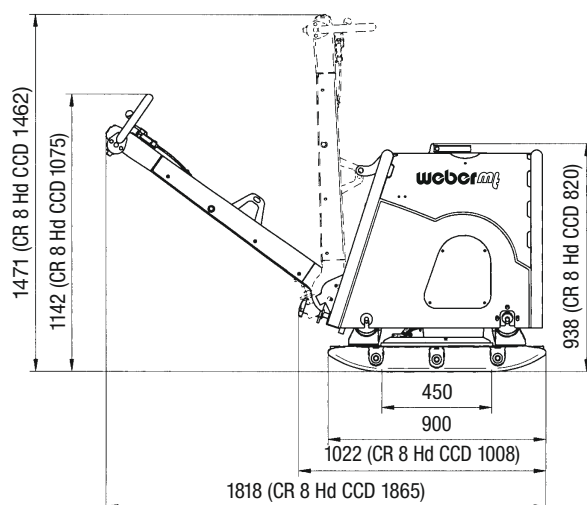
We reserve the right to alter specifications. *With extension plates (optional).



Dimensions in mm.

Type		CR 8/CR 8 CCD/CR 8 MSM	CR 8 Hd CCD
Operating weight to CECE	kg (lbs)	587/589/589 (1294/1299/1299)	524 (1155)
Centrifugal force	kN (lbs)	74 (16650)	74 (16650)
Frequency	Hz (r.p.m.)	64 (3840)	64 (3840)
Operating width	mm/in.	700 (850**)/28 (34**)	700 (850**)/28 (34**)
Engine manufacturer		Hatz 1D 81 Z	Honda GX 390
Engine type		Diesel	4-stroke, gasoline
Engine power output, max.	kW (HP)	10.3 (14.1)	8.2 (11.2)
Power output at operating speed	kW (HP)	9.7 (13.3) at 2,800 rpm	7.0 (9.6) at 3,000 rpm
Working speed	m/min. (ft/min.)	0-18 (0-59)	0-18 (0-59)

We reserve the right to alter specifications. **With extension plates (optional).



Dimensions in mm.

Weber Maschinentechnik GmbH

Im Bodén 5-8, 10 · 57334 Bad Laasphe · Germany · P.O. Box 21 53 · 57329 Bad Laasphe · Germany

Phone: +49 (0) 27 54/3 98-0 · Fax: +49 (0) 27 54/3 98-101 · E-Mail: info@webermt.de · Internet: www.webermt.de